



# Rod ends

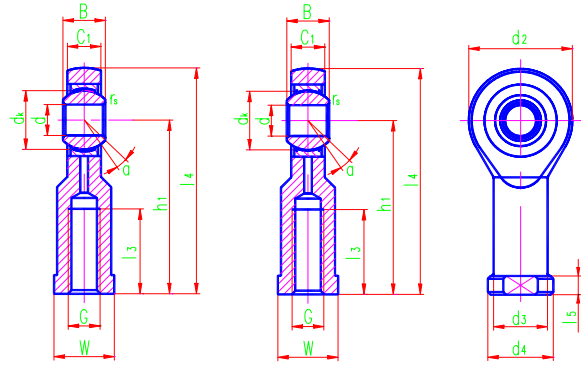


PTFE ( $d \leq 30$ )

SI...C

SI...ET-2RS

PTFE ( $d \leq 30$ )



Sliding contact surfaces Steel PTFE composite material( $d \leq 30$ )

Steel PTFE fabric( $d \leq 30$ )

Bearing number	Dimensions mm															Load Ratings kN		Weight $\approx$ kg
	d	B	$d_K$	$C_1$ max	$d_2$ max	G 6H	$h_1$	$l_3$ min	$l_4$ max	$l_5$ max	W	$d_3$ max	$d_4$ max	$r_s$ min	$\alpha^\circ$ $\approx$	Dynamic	Static	
SI5C	5	6	10	4.5	21	M5	30	11	40.5	5	10	10	13	0.3	13	3.6	8.1	0.016
SI6C	6	6	10	4.5	21	M6	30	11	40.5	5	11	11	13	0.3	13	3.6	8.1	0.017
SI8C	8	8	13	6.5	24	M8	36	15	48	5	13	13	16	0.3	15	5.8	12.9	0.035
SI10C	10	9	16	7.5	29	M10	43	15	57.5	6.5	16	16	19	0.3	12	8.6	17.6	0.061
SI12C	12	10	18	8.5	34	M12	50	18	67	7	18	19	22	0.3	10	11	24.5	0.096
SI15C	15	12	22	10.5	40	M14	61	21	81	8	21	21	26	0.3	8	18	36	0.16
SI17C	17	14	25	11.5	46	M16	67	24	90	10	27	25	29	0.3	10	22	45	0.23
SI20C	20	16	29	13.5	53	M20×1.5	77	30	103.5	10	30	28	34	0.3	9	31	60	0.32
SI25C	25	20	35.5	18	64	M24×2	94	36	126	12	36	35	42	0.6	7	51	83	0.62
SI30C	30	22	40.7	20	73	M30×2	110	45	146.5	15	46	42	50	0.6	6	65	110	0.97
SI35ET-2RS	35	25	47	22	82	M36×3	125	60	166	15	55	48	58	0.6	6	112	146	1.5
SI40ET-2RS	40	28	53	24	92	M39×3	142	65	188	18	60	52	65	0.6	7	140	180	2.1
SI45ET-2RS	45	32	60	28	102	M42×3	145	65	196	20	65	58	70	0.6	7	180	240	2.7
SI50ET-2RS	50	35	66	31	112	M45×3	160	68	216	20	70	62	75	0.6	6	220	290	3.5
SI60ET-2RS	60	44	80	39	135	M52×3	175	70	242.5	20	80	70	88	1	6	345	450	5.6
SI70ET-2RS	70	49	92	43	160	M56×4	200	80	280	20	85	80	98	1	6	440	610	8.3
SI80ET-2RS	80	55	105	48	180	M64×4	230	85	320	25	95	95	110	1	6	567	750	13

“L” “ ” SIL20C M20×1.5-6H

For left-hand thread, suffix “L” is added to bearings number and thread sign e.g. SIL20C M20×1.5L-6H