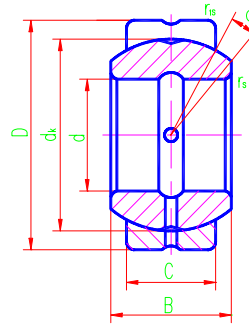


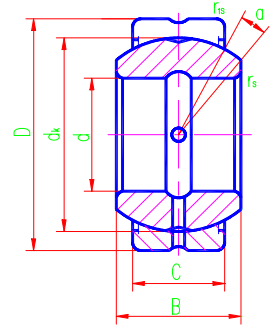
Radial Spherical Plain Bearings



Sliding contact surfaces: Steel / Steel



GEZ...ES



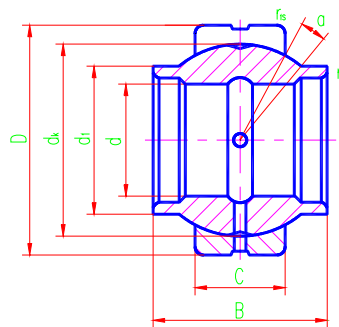
GEZ...ES-2RS

Bearing number		Dimensions mm/inch								Load ratings kN		Weight ≈kg
		d	D	B	C	dk	r _s min	r _{1s} min	α° ≈	Dynamic	Static	
GEZ95ES	GEZ95ES-2RS	95.250	149.225	83.337	71.425	137	1	1	6	780	2360	5.8
		3.75	5.875	3.281	2.812	5.393	0.04	0.04				
GEZ101ES	GEZ101ES-2RS	101.600	158.750	88.900	76.200	146	1	1	6	900	2650	7
		4	6.25	3.5	3	5.748	0.04	0.04				
GEZ107ES	GEZ107ES-2RS	107.950	168.275	94.463	80.950	155	1	1	6	1000	3000	8.41
		4.25	6.625	3.719	3.187	6.102	0.04	0.04				
GEZ114ES	GEZ114ES-2RS	114.300	177.800	100.013	85.725	164.5	1	1	6	1120	3400	9.8
		4.5	7	3.937	3.375	6.476	0.04	0.04				
GEZ120ES	GEZ120ES-2RS	120.650	187.325	105.562	90.475	173.5	1	1	6	1250	3750	11.5
		4.75	7.375	4.156	3.562	6.83	0.04	0.04				
GEZ127ES	GEZ127ES-2RS	127.000	196.850	111.125	95.250	183	1	1	6	1400	4150	13.5
		5	7.75	4.375	3.75	7.204	0.04	0.04				
GEZ152ES	GEZ152ES-2RS	152.400	222.250	120.65	104.775	207	1	1	5	1730	5200	17.5
		6	8.75	4.75	4.125	8.15	0.04	0.04				

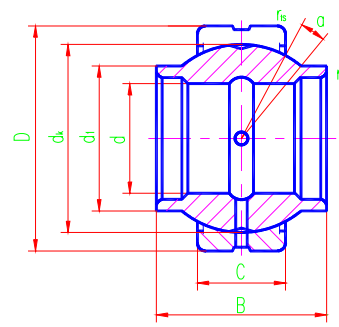
Radial Spherical Plain Bearings



Sliding contact surfaces Steel Steel



GEWZ...ES



GEWZ...ES-2RS

Bearing number		Dimensions mm/inch									Load ratings kN		Weight ≈kg
		d	D	B	C	d _i max	dk	r _s min	r _{1s} min	α° ≈	Dynamic	Static	
GEWZ12ES		12.700	22.225	19.050	9.525	15.875	18	0.15	0.6	5	13	41	0.024
		0.5	0.875	0.75	0.375	0.625	0.719	0.006	0.024				
GEWZ15ES		15.875	26.988	23.800	11.913	19.812	23	0.15	0.6	5	22	65	0.038
		0.625	1.0625	0.937	0.469	0.78	0.899	0.006	0.024				
GEWZ19ES	GEWZ19ES-2RS	19.050	31.750	28.575	14.275	23.368	27.5	0.3	0.6	5	31	95	0.064
		0.75	1.25	1.125	0.562	0.92	1.08	0.012	0.024				
GEWZ22ES	GEWZ22ES-2RS	22.225	36.513	33.325	16.662	27.178	32	0.3	0.6	5	42	127	0.098
		0.875	1.4375	1.312	0.656	1.07	1.258	0.012	0.024				
GEWZ25ES	GEWZ25ES-2RS	25.400	41.275	38.100	19.050	30.988	36.5	0.3	0.6	5	56	166	0.142
		1	1.625	1.5	0.75	1.22	1.437	0.012	0.024				
GEWZ31ES	GEWZ31ES-2RS	31.750	50.800	47.625	23.800	38.735	45.5	0.6	0.6	5	86	260	0.271
		1.25	2	1.875	0.937	1.525	1.795	0.024	0.024				
GEWZ34ES	GEWZ34ES-2RS	34.925	55.563	52.375	26.187	42.418	49	0.6	1	5	102	310	0.373
		1.375	2.1875	2.062	1.031	1.67	1.937	0.024	0.04				
GEWZ38ES	GEWZ38ES-2RS	38.100	61.913	57.150	28.575	46.99	54.7	0.6	1	5	125	375	0.494
		1.5	2.4375	2.25	1.125	1.85	2.155	0.024	0.04				
GEWZ44ES	GEWZ44ES-2RS	44.450	71.438	66.675	33.325	54.991	63.9	0.6	1	5	170	510	0.762
		1.75	2.8125	2.625	1.312	2.165	2.515	0.024	0.04				
GEWZ50ES	GEWZ50ES-2RS	50.800	80.963	76.200	38.100	62.484	73	0.6	1	5	224	670	1.11
		2	3.1875	3	1.5	2.46	2.875	0.024	0.04				
GEWZ57ES	GEWZ57ES-2RS	57.150	90.488	85.725	42.850	70.104	82	0.6	1	5	280	850	1.57
		2.25	3.5625	3.375	1.687	2.76	3.235	0.024	0.04				
GEWZ63ES	GEWZ63ES-2RS	63.500	100.013	95.250	47.625	77.724	92	1	1	5	355	1060	2.15
		2.5	3.9375	3.75	1.875	3.06	3.59	0.04	0.04				
GEWZ69ES	GEWZ69ES-2RS	69.850	111.125	104.775	52.375	85.852	100	1	1	5	415	1250	2.9
		2.75	4.375	4.125	2.062	3.38	3.95	0.04	0.04				
GEWZ76ES	GEWZ76ES-2RS	76.200	120.650	114.300	57.150	93.345	109.5	1	1	5	500	1500	3.59
		3	4.75	4.5	2.25	3.675	4.312	0.04	0.04				
GEWZ82ES	GEWZ82ES-2RS	82.550	130.175	123.825	61.900	101.219	119	1	1	5	585	1760	4.69
		3.25	5.125	4.875	2.437	3.985	4.675	0.04	0.04				
GEWZ88ES	GEWZ88ES-2RS	88.900	139.700	133.350	66.675	109.22	128	1	1	5	680	2040	5.86
		3.5	5.5	5.25	2.625	4.3	5.04	0.04	0.04				