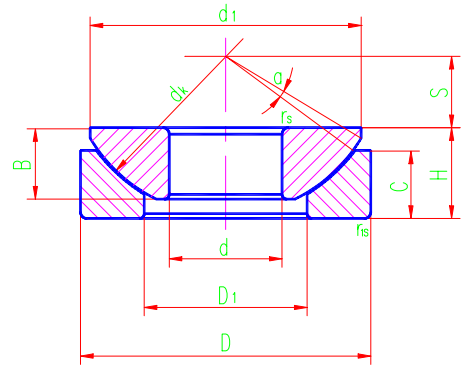




Thrust Spherical Plain Bearings



PTFE

Sliding contact surfaces Steel PTFE fabric

Bearing number	Dimensions mm											Load ratings kN		Weight ≈kg
	d	D	B	C	H	d _k	S	d ₁ max	D ₁ min	r _s , r _{1s} min	α° ≈	Dynamic	Static	
GX10T	10	30	7.5	7	9.5	32	7	27.5	15.5	0.6	9	40	81	0.036
GX12T	12	35	9.5	9.3	13	38	8	32	18	0.6	8	56	112	0.072
GX15T	15	42	11	10.8	15	46	10	39	22.5	0.6	8	79	160	0.108
GX17T	17	47	11.8	11.2	16	52	11	43.5	27	0.6	10	92	186	0.137
GX20T	20	55	14.5	13.8	20	60	12.5	50	31	1	9	127	255	0.246
GX25T	25	62	16.5	16.7	22.5	68	14	58.5	34.5	1	7	203	407	0.415
GX30T	30	75	19	19	26	82	17.5	70	42	1	7	275	551	0.614
GX35T	35	90	22	20.7	28	98	22	84	50.5	1	8	403	806	0.973
GX40T	40	105	27	21.5	32	114	24.5	97	59	1	9	540	1080	1.59
GX45T	45	120	31	25.5	36.5	128	27.5	110	67	1	9	730	1470	2.24
GX50T	50	130	33	30.5	42.5	139	30	120	70	1	7	840	1670	3.14
GX60T	60	150	37	34	45	160	35	140	84	1	8	1140	2280	4.63
GX70T	70	160	42	36.5	50	176	35	153	94.5	1	8	1370	2750	5.37
GX80T	80	180	43.5	38	50	197	42.5	172	107.5	1	8	1700	3410	6.91
GX100T	100	210	51	46	59	222	45	198	127	1.1	8	1940	3890	10.9
GX120T	120	230	53.5	50	64	250	52.5	220	145	1.1	6	2170	4560	13.9
GX140T	140	260	61	54	72	274	52.5	243	177	1.5	6	2700	5440	18.1
GX160T	160	290	66	58	77	313	65	271	200	1.5	7	3265	6250	23.2
GX180T	180	320	74	62	86	340	67.5	299	225	1.5	8	3700	7220	30.9
GX200T	200	340	80	66	87	365	70	320	247	1.5	8	4780	9150	34.2