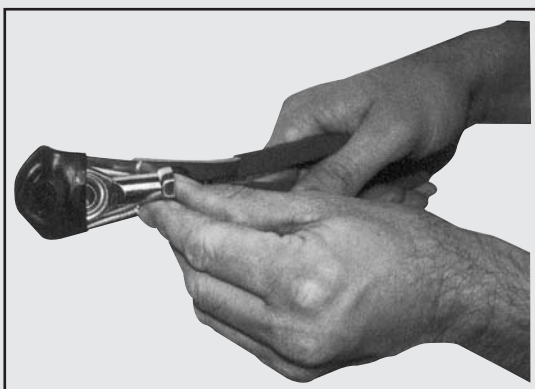
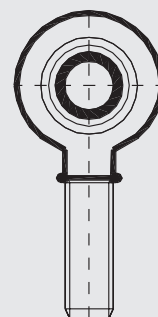
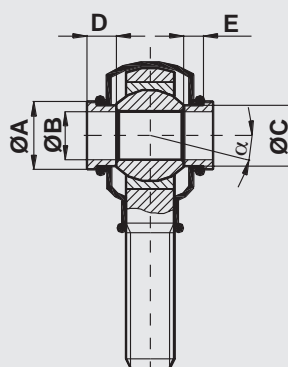
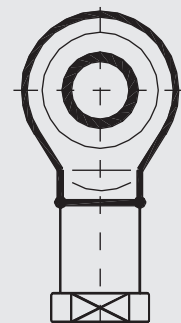
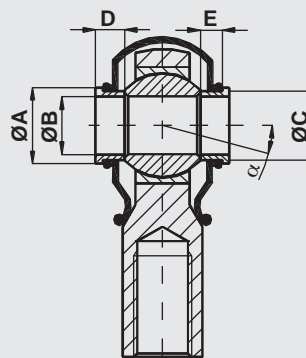


**PTS**

## RUBBER COVERS AND RINGS

For rod ends DIN ISO 12240 - 4 Serie K



Rubber cover	Compatible rod ends
PTS 1	6-8
PTS 2	10-12
PTS 3	14-16
PTS 4	20

**DTS**

Ring	ø A	ø B	ø C	D	E	α°
DTS 6	11	6	8,7	6	4	13
DTS 8	12	8	10,3	6	4	14
DTS 10	14	10	12,5	6	4	14
DTS 12	17	12	15	8	6	13
DTS 14	19	14	16,8	8	6	16
DTS 16	21	16	19	8	6	15
DTS 20	28	20	24	10	8	15

For the mounting it can be used a pair of pincers suitable to the fixing of seegers (see picture)